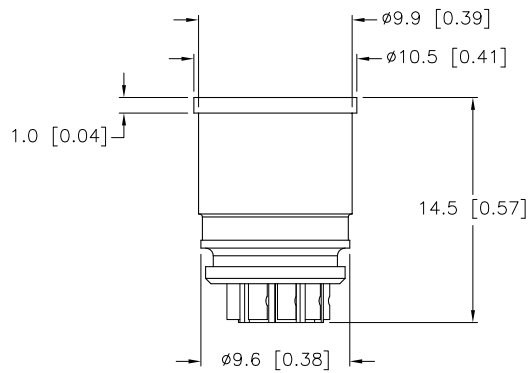
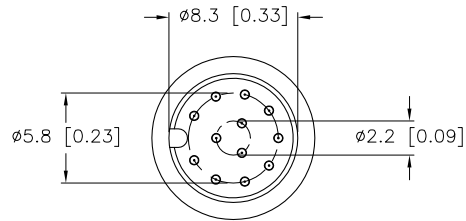
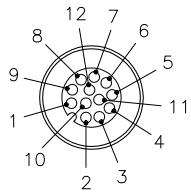
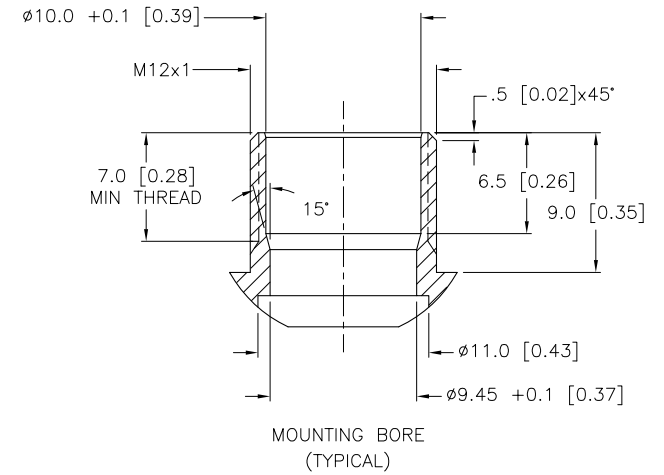


MALE END VIEW



SPECIFICATIONS

CONTACT CARRIER MATERIAL	NYLON
CONTACT MATERIAL/PLATING	BRASS/GOLD
RATED CURRENT [A]	2.0 A
RATED VOLTAGE [V]	60 VAC/75 VDC
TEMPERATURE RATING	-30°C to +80°C (-22°F to +176°F)



MOUNTING BORE (TYPICAL)

SOURCE DRAWING - FOR REFERENCE ONLY

RELATED DOCUMENTS 1. 2. 3. 4.	3RD ANGLE PROJECTION 	THIS DRAWING IS CONFIDENTIAL AND THE PROPERTY OF TURCK INC. USE OF THIS DOCUMENT WITHOUT WRITTEN PERMISSION IS PROHIBITED.		3000 CAMPUS DRIVE MINNEAPOLIS, MN 55441 1-800-544-7769 (763) 553-7300 (763) 553-0708 fax turck.com		
	MATERIAL  SEE SPECIFICATIONS	ALL DIMENSIONS DISPLAYED ON THIS DRAWING ARE FOR REFERENCE ONLY	DRFT RWC	DATE 12/28/05	DESCRIPTION  EWAS 12(10/BAG)	
			APVD	SCALE 1=.5		
	FINISH  SEE SPECIFICATIONS	CONTACT TURCK FOR MORE INFORMATION	UNIT OF MEASUREMENT <b>MILLIMETER [ INCH ]</b>		IDENTIFICATION NO.  A9190	REV  B
DO NOT SCALE THIS DRAWING	FILE: A9190	SHEET 1 OF 1				

B	DRAWING PROCESSED AS PART OF ECO 37423	KMY	12/08/11	37423
REV	DESCRIPTION	BY	DATE	ECO NO.